

PNEUMATIC FIREBREAK FOLDAWAY SHUTTER

STFSP Ø150÷750

CE
0497

air.com

AIRCOM SRL
Via della Vittoria, 23/A
31040 Nervesa della Battaglia (TV) Italy

EN1366-2; EN13501-3; EN15650:2010 "FIRE DAMPER"; 2006/42/EG

SERRANDA TAGLIAFUOCO A SCOMPARSA FIREBREAK FOLDAWAY SHUTTER	
Anno di produzione Production year	202 -
STFSP Ø	0497/CPR/6524
Cicli / Cycles:	10020
Nebbie saline / Salt spray exposure	Pass
<small>EI 60 (ve ic->o) S - E 120 (ve ic->o) S EI 60 (ho ic->o) S - E 120 (ho ic->o) S "LEAKAGE RATED"</small>	
<small>Pressione linea aria Airline pressure</small> 7÷8 barg	
<small>Pass</small>	
<small>Pass</small>	

QUESTA SERRANDA DEVE ESSERE INSTALLATA SECONDO LE ISTRUZIONI DEL COSTRUTTORE
THIS DAMPER SHALL BE INSTALLED AS PER MANUFACTURER'S INSTRUCTIONS



ATEX

**NEW
2020**

The foldaway firebreak shutters, differently from the butterfly versions available on the market, have been designed to keep free all the air flow area inside the pipe, which is a very important aspect with presence of dust or material passing inside the pipe. In fact the passage of dust or abrahasive material would deteriorate quickly the insulating material in case it was inside te pipe section. **Small footprint for installation close to the roof or wall. It can be installed with pipe at about 20÷30cm from the roof or wall.**

The shutters series STFSP are **CERTIFIED EN1366-2 / EN13501-3 EI 60 (ve, ho i <->o) S - E 120 (ve, ho i <->o) S**

Installation in **horizontal or vertical position** on plants with **negative pressure (pull flow)**.

WORKING MODE DESCRIPTION:

Closing and re-opening with pneumatic rotative actuators and mono-stable solenoid valve driven by electric signal from spark or flame detector. Automatic rearm after resetting the alarm signal. The actuator can be installed on right or on left.

On both sides there is an inspection window to check the state of the internal components and to allow the cleaning of the inside of the valve.

BODY AND PIPES MATERIALS:

Mild steel S235 (Fe360) galvanized / INOX steel AISI 304 or AISI 316

Body thickness: 3mm

Pipes thickness: 2mm

PIPES CONFIGURATIONS:

L=smooth; B=with edges (STANDARD);

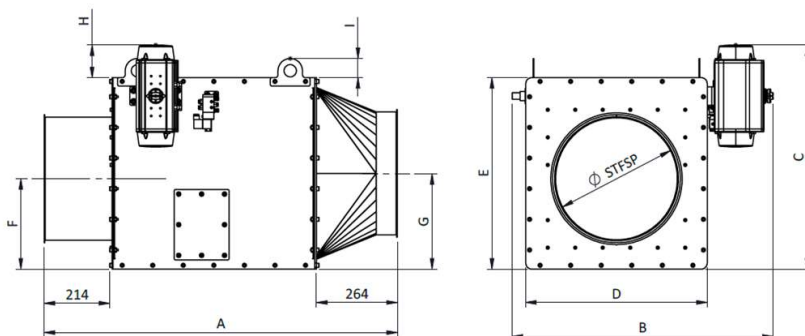
F=with flanges

AVAILABLE VOLTAGES:

110V AC - 220V AC - 24V AC - 24V DC

ACCESSORIES ON DEMAND:

- Electromechanic limit switches
- Copper pipes for pneumatic connections
- Epoxy painting RAL 3020
- Control system by electrovalve with fuse 72° and Microswitch (2° safety)
- Safety air tank on board



STFSP	Ø150 ÷ 300	Ø350 ÷ 750
Closing time (30 m/s)	0,26÷0,41 s	0,65÷2,84 s
Solenoid valve	1/4"	1/4"
Air pipe for cylinders	Ø 8 mm	Ø 10 mm
Air line supply	Ø 8÷12 mm	Ø 10÷14 mm

Ø STFSP	A	B	C	D	E	F	G	H	I
150	905	517	392	334	370	170	184	22	-
200	955	567	442	394	420	195	209	22	-
250	1005	638	515	444	470	220	234	45	-
300	1055	702	583	494	520	245	259	60	63
350	1105	725	648	544	570	270	284	78	63
400	1155	854	673	594	625	295	312	107	63
450	1205	916	698	644	675	320	337	82	63
500	1255	993	887	694	745	345	372	142	63
550	1305	1043	937	744	795	370	397	142	63
600	1355	1118	1020	794	845	395	422	175	63
650	1406	1209	1071	844	905	420	452	166	63
700	1456	1284	1164	894	955	445	477	209	63
750	1506	1334	1214	944	1005	470	502	209	63

air.com
COMPONENTI PER IMPIANTI ASPIRAZIONE
COMPRESSORI SILENZIOSI

Via della Vittoria 23/A - 31040 NERVESA DELLA BATTAGLIA (TV)

Tel. 0422/887386 - Fax 0422/887673

www.aircomsrl.it - email: aircomtv@aircomsrl.it